

ANHUI PROSPER FLOW TECHNOLOGY CO., LTD

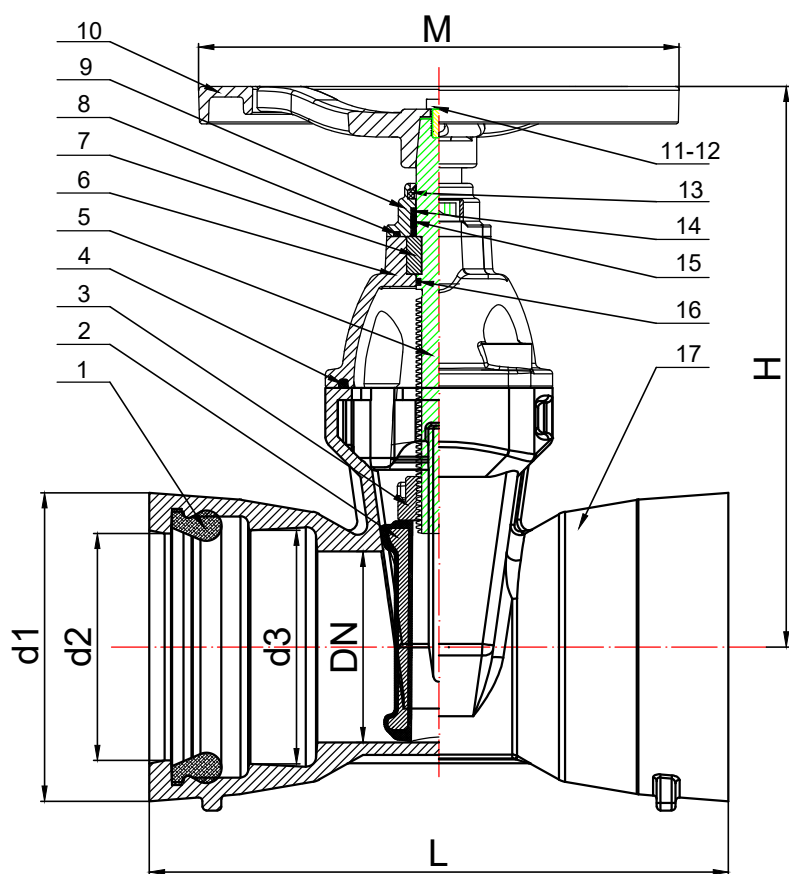
Resilient Seated Gate Valves For DI PIPE

Reference Standard

Design	EN 1171
Connection	ISO 2531:1998
Face to Face	EN558-1
Tests	EN 12266-1

Main Technical Parameters

DN	DN80-300	
PN	PN16	
Test pressure	Strength	2.4MPa
	Seal up	1.8MPa
Temperature	0-80°C	
Medium	Clear, sewage, air	
Drive form	Handwheel	



17	Body	GGG50	DIN 1693
16	O Ring	NBR	ISO 4633
15	Separated sets of nylon	nylon 66	
14	O Ring	NBR	ISO 4633
13	Dust Ring	NBR	ISO 4633
12	Washers	A2-70	ASTM A959
11	Bolts	A2-70	ASTM A959
10	Handwheel	GGG50	DIN 1693
9	Gland	GGG50	DIN 1693
8	O Ring	NBR	ISO 4633
7	Holding Ring	CuZn39Pb1	EN 12167
6	Bonnet	GGG50	DIN 1693
5	Stem	SS316	ASTM A959
4	Bonnet Gasket	NBR	ISO 4633
3	Stem Nut	CuZn39Pb1	EN 12167
2	Disc	EPDM+GGG50	DIN 1693
1	T-Seal Ring	NBR	ISO 2531:1998
ITEM	PART NAME	MATERIAL	STANDARD

DN	OUTLINE mm			Connection Dimension mm			
	L	H	M	ISO 2531:1998			
				d1	d2	d3	DE
80	284	280	254	140	100.5±1	119.1±1	98 ⁺¹ _{-2.8}
100	306	320	254	163	120.5±1	138.9±1	118 ⁺¹ _{-2.8}
150	337	405	315	217	172.5±1	190.6±1	170 ⁺¹ _{-2.9}
200	355	505	315	278	224.5 ^{+1.5} ₋₁	245.2 ^{+1.5} ₋₁	222 ⁺¹ ₋₃
250	390	605	406	336	276.5 ^{+1.5} ₋₁	296.9 ^{+1.5} ₋₁	274 ⁺¹ _{-3.1}
300	440	685	406	393	328.5 ^{+1.8} ₋₁	351.7 ^{+1.8} ₋₁	326 ⁺¹ _{-3.3}